

**FEIDER**  
MACHINES

**Steam cleaner**  
**User Instruction Manual**  
**FHNVT1300**



BUILDER SAS

32 Rue Aristide Bergès, 31270 CUGNAUX - FRANCE

MADE IN PRC 2021

Please read the instruction carefully and retain for future use.



# 1. Warnings and safety precautions

Before using this device, please read this manual carefully and keep it for future use. If you pass this device on to someone else, pass this manual as well.

- Appliances can be used by persons with reduced physical, sensory or mental capabilities or lack of experience and knowledge if they have been given supervision or instruction concerning use of the appliance in a safe way and if they understand the hazards involved. Children shall not play with the appliance.
- The appliance shall not be left unattended while it is connected to the supply mains. Keep children and pets away from the device during use.
- The filling aperture shall not be opened during use. Follow the instructions given in this manual for the safe filling of the water tank.
- The appliance is not to be used if it has been dropped, if there are visible signs of damage or if it is leaking
- Keep the appliance out of reach of children when it is energized or cooling down
- The liquid or steam must not be directed towards equipment containing electrical components, such as the interior of ovens.



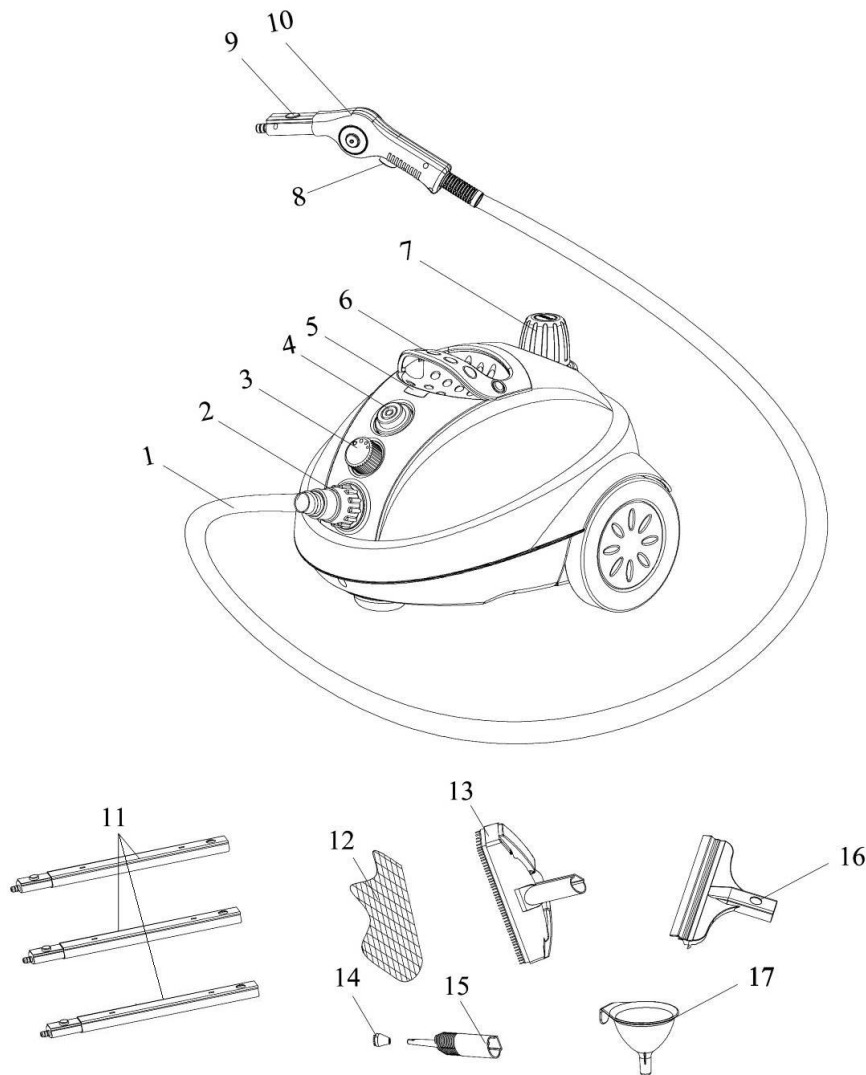
- **Caution! Danger of scalding**

- The appliance must be unplugged after use and before maintenance by the user.
- The plug must be removed from the socket-outlet before cleaning or maintaining the device.
- If the supply cord is damaged, it must be replaced by the manufacturer, its service agent or similarly qualified persons in order to avoid a hazard
- CAUTION: Make sure the device is turned off before removing the accessory.
- The device must not be submerged in water.
- Refer to **CLEANING AND MAINTENANCE** section for cleaning and descaling instructions.
- This appliance is designed for indoor use only.
- Fill the device only with water.
- Inspect the unit regularly for signs of damage. Do not use a damaged device. Do not try to repair the device yourself. The repair must only be made by the manufacturer, its after-sales service or persons of similar qualification in order to avoid a danger.
- Remove all packing materials before using the appliance. Keep packaging materials out of the reach of children, as these materials can be dangerous.
- Check that the supply voltage indicated on the nameplate corresponds to the voltage of your home.
- Do not expose the device to heat. Do not place the device near heat sources such as a stove or heater.
- Attention! Always use shoes when using the steam mop! The floor becomes hot when using the appliance.
- Do not direct steam at people, animals, electrical appliances or electrical outlets.

- Do not remove or fill the water tank while the steam mop is on.
- Please refer to the instructions in this manual for the type and amount of fluid to use.
- Surfaces are likely to be hot during use.
- Do not spray to any aim in same position for more than 5 sec.
- Do not put heavy weight on power cord.
- Do not touch directly the steam.
- Do not drain the appliance when it is connected to water mains.
- Do not use the appliance when there is no water in water tank. Always fill the tank before use the tool.
- Use the appliance in a ventilated room
- Always put the children lock when the appliance is not used.
- Let the appliance cool before change, replace or remove any parts.
- Do not spray the steam to clean glass in the same position more than 2 seconds.
- Do not clean window if temperature is lower than 0 °C.
- Revolve the safety valve before power on or hot water will pour out
- During production, each appliance is tested to ensure the quality of the finished product. It is therefore possible that there is water residue inside the device.

## 2. Discover your new steam cleaner

Your FEIDER steam generator is distinguished by an innovative design and several key features added for your enjoy use



- |                    |                       |
|--------------------|-----------------------|
| 1. Spray pipe      | 10. Spray gun         |
| 2. Locking knob    | 11. Lengthening bar   |
| 3. Flow valve knob | 12. Towel             |
| 4. Power switch    | 13. Floor brush       |
| 5. Steam light     | 14. Small round brush |
| 6. Handle          | 15. Straight nozzle   |
| 7. Safety valve    | 16. Glass brush       |
| 8. Steam switch    | 17. Funnel            |
| 9. Snap close      |                       |

### 3. Quick Start guide

The steam cleaner is designed for cleaning bathrooms, toilets, kitchens, glass and mirrors, as well as most other smooth surfaces. Hot steam cleans as it dissolves oily and greasy substances.

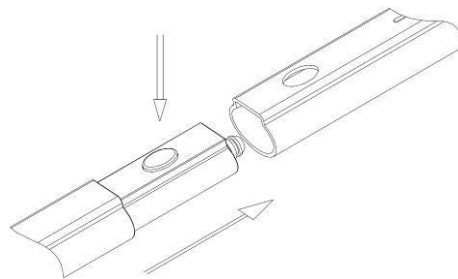
Before using this unit for the first time

Before first use, the unit should be cleaned as described in General care and cleaning.

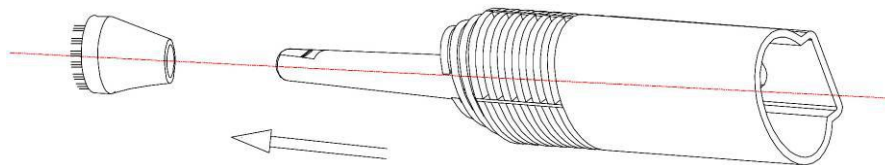
### 4. OPERATION

#### Accessories

1. Take out the straight nozzle and spray gun, press on the plastic snap close on the top of spray gun and insert it into the corresponding hole on the straight nozzle until it releases naturally. The installation is done.



2. Install the small round brush onto the straight nozzle and tighten it.



3. The lengthening bar, clothes brush, floor brush, triangle brush and glass brush shall be installed same as straight nozzle.



4. The floor brush, clothes brush and triangle brush may be contained by a cloth sheath if necessary.

## 5. USE

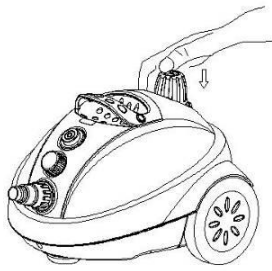


fig. 1



fig. 2



fig. 3



fig. 4

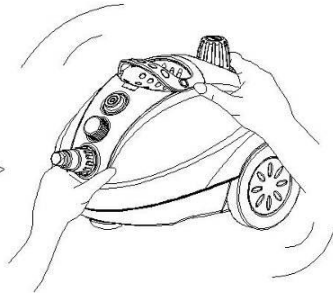


fig. 5



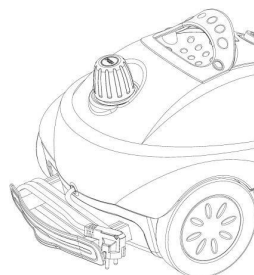
fig. 6

1a. Unscrew the safety valve (7), then add water by funnel (advice to use pure water). Finally, screw on the safety valve. Do not open the safety valve when using the appliance. You could turn on the safety valve when cut off the power and the appliance completely cool down. **[fig 1] [fig 2] [fig 3].**

2a. After insert the power plug, turn on the power switch (4) and the indicator lamp light on. Waiting for five minutes, the steam light (5) will turn on. Then, you could open the steam switch (8) on the spray gun.

3a. Adjust the flow valve knob (3), the steam could be increased or decreased.

4a. After use, please turn off the power switch and unplug the power plug. You could wind the power cord on the winding handle.



After your cleaning, please Unplug the power cable

## 6. Maintenance and cleaning

According to the functions of various series of steam cleaner, in order to increase its life-span, users must follow the daily maintenance and maintenance way.

1. Correctly use the product according to the instruction. After each use, turn off the power switch, unplug the power plug and pick up the power cord.
2. After the appliance is completely cool down, unscrew the safety valve and pour rest water out of the boiler. Clean and dry the boiler. **[fig 4] [fig 5] [fig 6]**.
3. Put all components which had been cleaned into the folding carton in sequence. Then stored it in ventilated dry place.

## 7. Eco advices

### Type of water to use

You can use normal tap water to fill the tank. Therefore, especially if the water of your city is very hard, we advise you to mix it with distilled water or use distilled water only.

We advise you to empty the boiler after use in order to not create limestone inside the boiler.

Do not add anything to the contents of the boiler and do not use water from clothes dryers, scented or softened water, water from refrigerators, batteries or air conditioners and rain water. These contain organic waste or mineral elements that become concentrated when heated and cause spitting, brown staining or premature wear to the boiler. Use of these types of water will negate the guarantee provided with the product.

### Steam cleaner cleaning

Clean often the steam cleaner in order to keep the ironing performance following the instructions of the Maintenance and cleaning chapter.

We advise you to never use abrasive sponge to clean your steam cleaner

Clean fully your steam cleaner after every 10 uses.



## 8. Trouble shooting

PROBLEM	POSSIBLE REASONS	SOLUTIONS
There is no steam	No power	Verify that the socket outlet is operating and if plug in already
	Use the unit without water filled	Fill water (see USE)
	Flow valve knob is turn off	Adjust the flow valve
there is not enough steam	Flow valve knob is not fully opened	Adjust the flow valve to Max
	Mineral build-up may be clogging the nozzle.	Using the nozzle cleaner ,carefully clean the nozzle to remove debris
	water level may be low	Fill water (see USE)
Straight nozzle drips water	Fill to much water	Pour out some water . the max capacity is 800ml
	unit incline too much	Don't incline unit too much when operation
Pre-heating time is too long	Voltage is too low or not stable enough	Verify that the socket outlet is operating and if plug in already

## 9. Technical specifications

Input voltage: 230V~ 50Hz

Steam rate: 70 g/min

Power: 1300W

Pressure: 3.5bars

Water capacity: 700ml

## 10. DISPOSAL



Electrical products should not be discarded with household products. According to the European Directive 2012/19/EU on waste electrical and electronic equipment and its implementation into national law, electrical products used must be collected separately and disposed of at collection points provided for this purpose. Talk with your local authorities or dealer for advice on recycling.

## 11. EC Declaration of conformity



EC Declaration of conformity  
BUILDER SAS

32, rue Aristide Bergès - ZI 31270 Cugnaux – France

Declares that the machine indicated below:

Designation: Steam cleaner

Model: FHNVT1300

Serial number: 20210390113-20210390612

Is in conformity with the European Directives:

LVD Directive 2014/35/EU

EMC Directive 2014/30/EU

ROHS Directive: (EU) 2015/863 amending 2011/65/EU

This product is also in conformity with the following standards:

EN 60335-1: 2012+A11:2014+A13:2017+A1:2019+A14:2019+A2:2019

EN 60335-2-54: 2008+A11:2012+A1:2015

EN 62233:2008

EN 55014-1:2017

EN 55014-2:2015

EN61000-3-2:2014

EN 61000-3-3:2013

Philippe MARIE / PDG

Cugnaux, le 01/01/2021

## 12. WARRANTY



### WARRANTY

The manufacturer guarantees the product against defects in material and workmanship for a period of 2 years from the date of the original purchase. The warranty only applies if the product is for household use. The warranty does not cover breakdowns due to normal wear and tear.

The manufacturer agrees to replace parts identified as defective by the designated distributor. The manufacturer does not accept responsibility for the replacement of the machine, in whole or in part, and/or ensuing damage.

#### The warranty does not cover breakdowns due to:

- insufficient maintenance.
- abnormal assembly, adjustment or operations of the product.
- parts subject to normal wear and tear.

#### The warranty does not extend to:

- shipping and packaging costs.
- using the tool for a purpose other than that for which it was designed.
- the use and maintenance of the machine done in a manner not described in the user manual.

Due to our policy of continuous product improvement, we reserve the right to alter or change specifications without notice. Consequently, the product may be different from the information contained therein, but a modification will be undertaken without notice if it is recognized as an improvement of the preceding characteristic.

#### READ THE MANUAL CAREFULLY BEFORE USING THE MACHINE.

When ordering spare parts, please indicate the part number or code, you can find this in the spare parts list in this manual. Keep the purchase receipt; without it, the warranty is invalid. To help you with your product, we invite you to contact us by phone or via our website:

- **+33 (0)9.70.75.30.30**
- **<https://services.swap-europe.com/contact>**

You must create a "ticket" via the web platform.

- Register or create your account.
- Indicate the reference of the tool.
- Choose the subject of your request.
- Describe your problem.
- Attach these files: invoice or sales receipt, photo of the identification plate (serial number), photo of the part you need (for example: pins on the transformer plug which are broken).



# 13. PRODUCT FAILURE

## WHAT TO DO IF MY MACHINE BREAKS DOWN?

### If you bought your product in a store:

- a) Empty the fuel tank.
- b) Make sure that your machine is complete with all accessories supplied, and clean! If this is not the case, the repairer will refuse the machine.

Go to the store with the complete machine and with the receipt or invoice.

### If you bought your product on a website:

- a) Empty the fuel tank.
- b) Make sure that your machine is complete with all accessories supplied, and clean! If this is not the case, the repairer will refuse the machine.
- c) Create a SWAP-Europe service ticket on the site: <https://services.swap-europe.com> When making the request on SWAP-Europe, you must attach the invoice and the photo of the nameplate (serial number).
- d) Contact the repair station to make sure it is available before dropping off the machine.

Go to the repair station with the complete machine packed, accompanied by the purchase invoice and the station support sheet downloadable after the service request is completed on the SWAP-Europe site

For machines with engine failure from manufacturers BRIGGS & STRATTON, HONDA and RATO, please refer to the following instructions.

Repairs will be done by approved engine manufacturers of these manufacturers, see their site:

- <http://www.briggsandstratton.com/eu/fr>
- <http://www.honda-engines-eu.com/fr/service-network-page;jsessionid=5EE8456CF39CD572AA2AEEDFD290CDAE>
- <https://www.rato-europe.com/it/service-network>

**Please keep your original packaging to allow for after-sales service returns or pack your machine with a similar cardboard box of the same dimensions.**

**For any question concerning our after-sales service you can make a request on our website <https://services.swap-europe.com>**

**Our hotline remains available at +33 (9) 70 75 30 30.**



# 14. WARRANTY EXCLUSIONS

## THE WARRANTY DOES NOT COVER:

- Start-up and setting up of the product.
- Damage resulting from normal wear and tear of the product.
- Damage resulting from improper use of the product.
- Damage resulting from assembly or start-up not in accordance with the user manual.
- Breakdowns related to carburetion beyond 90 days and fouling of carburetors.
- Periodic and standard maintenance events.
- Actions of modification and dismantling that directly void the warranty.
- Products whose original authentication marking (brand, serial number) has been degraded, altered or withdrawn.
- Replacement of consumables.
- The use of non-original parts.
- Breakage of parts following impacts or projections.
- Accessories breakdowns.
- Defects and their consequences linked to any external cause.
- Loss of components and loss due to insufficient screwing.
- Cutting components and any damage related to the loosening of parts.
- Overload or overheating.
- Poor power supply quality: faulty voltage, voltage error, etc.
- Damages resulting from the deprivation of enjoyment of the product during the time necessary for repairs and more generally the costs related to the immobilization of the product.
- The costs of a second opinion established by a third party following an estimate by a SWAP-Europe repair station
- The use of a product which would show a defect or a breakage which was not the subject of an immediate report and/or repair with the services of SWAP-Europe.
- Deterioration linked to transport and storage\*.
- Launchers beyond 90 days.
- Oil, petrol, grease.
- Damages related to the use of non-compliant fuels or lubricants.

\* In accordance with transport legislation, damage related to transport must be declared to carriers within 48 hours maximum after observation by registered letter with acknowledgement of receipt.

This document is a supplement to your notice, a non-exhaustive list.

**Attention:** all orders must be checked in the presence of the delivery person. In case of refusal by the delivery person, it you must simply refuse the delivery and notify your refusal.

**Reminder:** the reserves do not exclude the notification by registered letter with acknowledgement within 72 hours.

### Information:

Thermal devices must be wintered each season (service available on the SWAP-Europe site). Batteries must be charged before being stored.